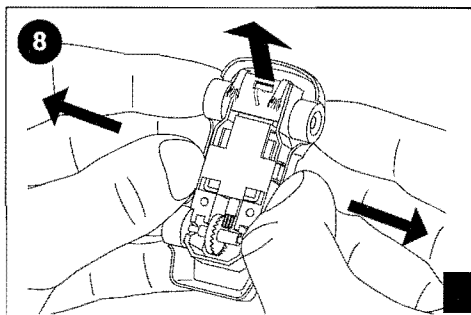
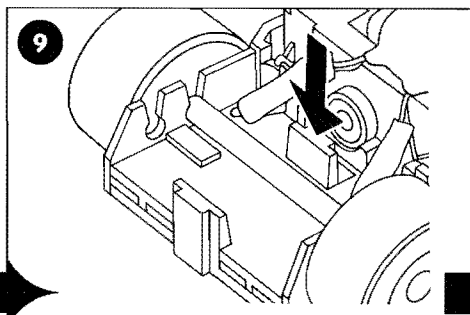


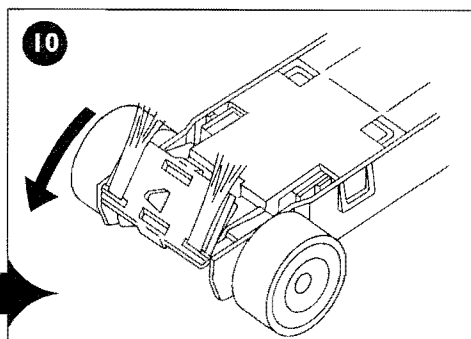
CAR MAINTENANCE



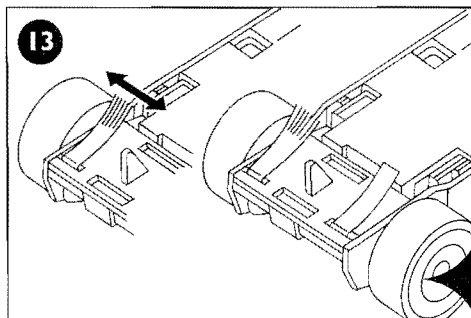
8 After a while, the pick-up braids underneath the cars may become worn out and need replacing. To do this, turn the car over and unclip the body from the chassis.



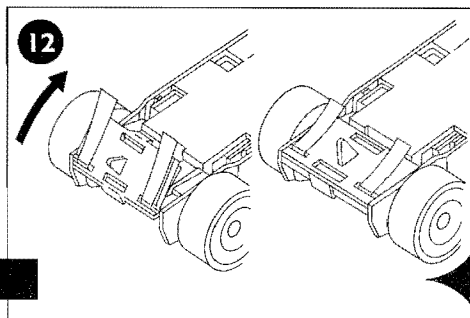
9 Unclip the rear of the guide plate by pressing down on the clip, from inside the car, as shown in the diagram. You may have to use a screwdriver to do this.



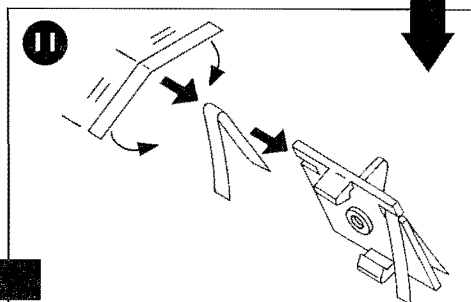
10 Turn the chassis over and remove the guide plate from its front clip.



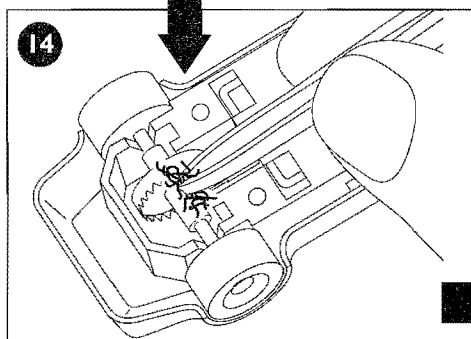
13 Refit the car body and tease out the ends of the braids so they make good contact with the pick-up rails in the track.



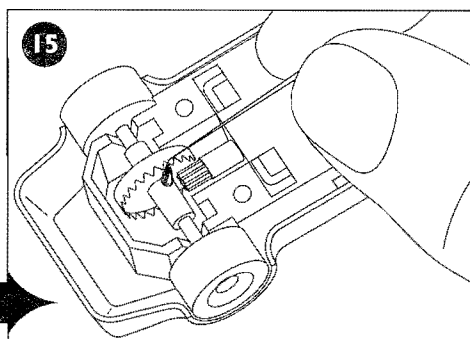
12 Fit the assembled guide plate assembly on to the chassis by engaging the front clip first and then the rear clip.



11 Fit new braids to replacement guide plate. The braids should be folded so that both sides are equal in length. Push one braid into each side of plate.

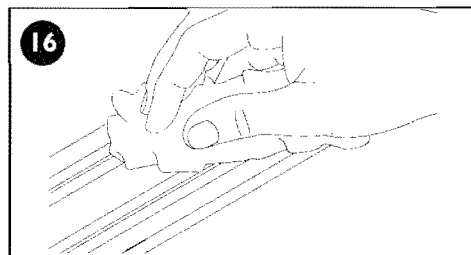


14 Remove any carpet fibres, pet hairs etc., from around the car's axles and gear wheel.

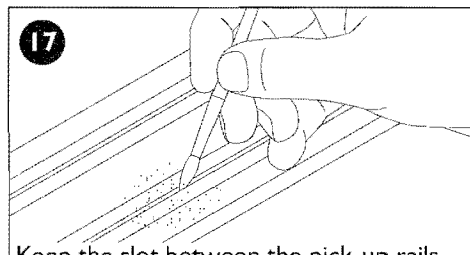


15 Periodically, oil the axle bearings and gear wheel with one drop of light machine oil.

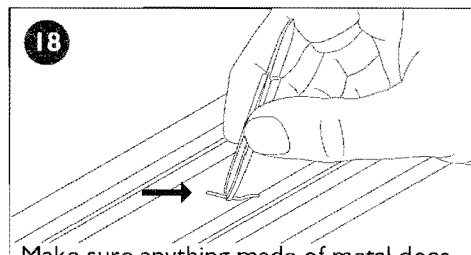
YOUR CAR WILL NOT RUN IF THE BRAIDS ARE MISSING OR INCORRECTLY FITTED TRACK MAINTENANCE



16 Always keep track clean by wiping over with a non-fluffy cloth, especially before putting the set away. Keep the pick-up rails shiny by rubbing carefully with a nylon "Scotch" washing-up pad or track cleaning rubber, reference R8087, obtainable from Hornby stockists.



17 Keep the slot between the pick-up rails free from anything which would prevent the guide fin from travelling along it freely.



18 Make sure anything made of metal does not bridge the two pick-up rails which would cause a short-circuit.

19 If a short-circuit does occur, the automatic cut-out in the transformer will come into operation and shut off power to the track. In this case, unplug the transformer from the wall socket, eliminate the reason for the short-circuit and plug the transformer back in again.
Note: The transformer must remain unplugged for at least 45 seconds to allow the cut-out to reset itself.

HORNBY SERVICE WARRANTY Hornby products are guaranteed against defects in materials or workmanship for a period of six months from purchase. If any such defect occurs during the period of warranty, please follow the procedure outlined in the list of Service Dealers enclosed with your set. Alternatively, the product (or component), may be forwarded to Hornby Hobbies Limited, carefully packed, with a note enclosed giving full details to: Repairs Department, Hornby Hobbies Limited, Westwood, MARGATE, Kent CT9 4JX. The product will be repaired or replaced, free of charge, if the problem is found to be due to either workmanship or materials. This warranty is valid for products purchased in the United Kingdom and is in addition to, and does not diminish, your statutory rights.

Helpline Telephone: 01843 233525 Fax: 01843 233527 email: customercare@hornby.com www.scalextric.com

Hornby Hobbies Limited, Westwood, Margate, Kent CT9 4JX, England, United Kingdom

HORNBY®